

# Owner's Manual & Safety Instructions

**Save This Manual** Keep this manual for the safety warnings and precautions, assembly, operating, inspection, maintenance and cleaning procedures. Write the product's serial number in the back of the manual near the assembly diagram (or month and year of purchase if product has no number). Keep this manual and the receipt in a safe and dry place for future reference.



# Greenhouse

8'5" L X 6'3" W X 6'5" H



**ITEM 47712**

Visit our website at: <http://www.harborfreight.com>  
Email our technical support at: [tech@harborfreight.com](mailto:tech@harborfreight.com)

REV 12e

When unpacking, make sure that the product is intact and undamaged. If any parts are missing or broken, please call 1-800-444-3353 as soon as possible.

Copyright© 2002 by Harbor Freight Tools®. All rights reserved.

No portion of this manual or any artwork contained herein may be reproduced in any shape or form without the express written consent of Harbor Freight Tools. Diagrams within this manual may not be drawn proportionally. Due to continuing improvements, actual product may differ slightly from the product described herein. Tools required for assembly and service may not be included.

## **⚠WARNING**

**Read this material before using this product.  
Failure to do so can result in serious injury.  
SAVE THIS MANUAL.**

# Table of Contents

Safety .....	3	Maintenance .....	13
Specifications .....	4	Warranty .....	14
Foundation.....	4	Parts Lists.....	14
Frame .....	8		



SAFETY

FOUNDATION

FRAME

MAINTENANCE

WARNING SYMBOLS AND DEFINITIONS	
	This is the safety alert symbol. It is used to alert you to potential personal injury hazards. Obey all safety messages that follow this symbol to avoid possible injury or death.
<b>! DANGER</b>	Indicates a hazardous situation which, if not avoided, will result in death or serious injury.
<b>! WARNING</b>	Indicates a hazardous situation which, if not avoided, could result in death or serious injury.
<b>! CAUTION</b>	Indicates a hazardous situation which, if not avoided, could result in minor or moderate injury.
<b>NOTICE</b> <b>CAUTION</b>	Addresses practices not related to personal injury.

# IMPORTANT SAFETY INFORMATION

The warnings, precautions, and instructions discussed in this manual cannot cover all possible conditions and situations that may occur. The operator must understand that common sense and caution are factors, which cannot be built into this product, but must be supplied by the operator.

## Assembly / Installation Precautions

1. Assemble only according to these instructions. Improper assembly can create hazards.
2. Wear ANSI-approved safety goggles and heavy-duty work gloves during assembly.
3. This unit contains pieces with sharp edges. The machined edges of the aluminum parts and the ends of the panel clips may be sharp. Handle all parts carefully.
4. Keep assembly area clean and well lit.
5. Keep bystanders out of the area during assembly.
6. Do not assemble when tired or when under the influence of alcohol, drugs or medication.
7. Product capabilities apply to properly and completely assembled product only.
8. Locate the Greenhouse on a flat, level, surface. A concrete foundation is recommended for a high-quality installation.
9. **WARNING:** The brass bushings inside the Rollers of this product contain lead, a chemical known to the State of California to cause birth defects (or other reproductive harm). (California Health & Safety Code § 25249.5, *et seq.*)

## Use / Service Precautions

1. **This product is not a toy. Do not allow children to play in or climb on this product.** Although this greenhouse does include some caps, there are still some exposed sharp edges. In addition, protective covers may fall off in time. Children must be supervised if allowed near the greenhouse.
2. **SNOW/DEBRIS ACCUMULATION HAZARD.** The heavy weight of accumulated snow or other debris can cause parts of this greenhouse to buckle suddenly. Do not allow debris to accumulate on top of the greenhouse. If snowfall is expected, place additional supports (not provided) underneath the Crown (35). **NEVER enter a greenhouse with accumulated debris on top.**
3. Use as intended only.
4. Inspect periodically; replace damaged parts immediately and do not enter greenhouse if parts are loose or damaged.
5. For your safety, service and maintenance should be performed regularly by a qualified technician.



**SAVE THESE INSTRUCTIONS.**



## Specifications

Overall Dimensions	98-1/2" L x 75-7/8" W x 77" H
Window Dimensions	23" L x 20" W
Door Dimensions	64" H x 24" W x 1-1/4" Thick
Materials	Aluminum Frame Transparent Polycarbonate Sheets
Aluminum Thickness	0.038"
Polycarbonate Sheet Thickness	0.165"

SAFETY

## Foundation Installation



Read the **ENTIRE IMPORTANT SAFETY INFORMATION** section at the beginning of this document including all text under subheadings therein before set up or use of this product.

### IMPORTANT—READ THE FOLLOWING CAREFULLY BEFORE PROCEEDING

- Prior to assembly, a proper foundation must be laid. The greenhouse must be properly supported to help prevent property damage and injury in the event of strong winds or inclement weather. Wind and ground conditions may vary from site to site, and may affect the practicality and effectiveness of anchoring methods substantially. If you have any doubt regarding the stability of the foundation you are to use, consult a professional.
- It is always your responsibility to ensure that the greenhouse is properly anchored. Harbor Freight Tools cannot be held responsible for personal injury, damage to the greenhouse, or other property damage that occurs as a result of improperly anchoring the greenhouse.
- Be certain to check with local authorities to obtain all required building permits and to familiarize yourself with any building codes that may apply.
- Decide on a location for the greenhouse. The location should optimally be a level, well-lit area that is sheltered from the wind. The door of the greenhouse should not open towards the prevailing wind, if possible.

FOUNDATION

FRAME

MAINTENANCE

# Concrete Anchor Foundation

1. This foundation will be assembled out of 4 x 4 treated lumber, hardware, and prefabricated concrete anchors (none provided).
2. Assemble the 4 x 4 pieces in the dimensions shown in the diagram below. The wood will need to be trimmed to fit. Make certain that the assembly is square and level. The diagonal dimensions, from outside corner to outside corner, should be  $123\frac{3}{4}$ " each.
3. Securely assemble the frame together using proper hardware.

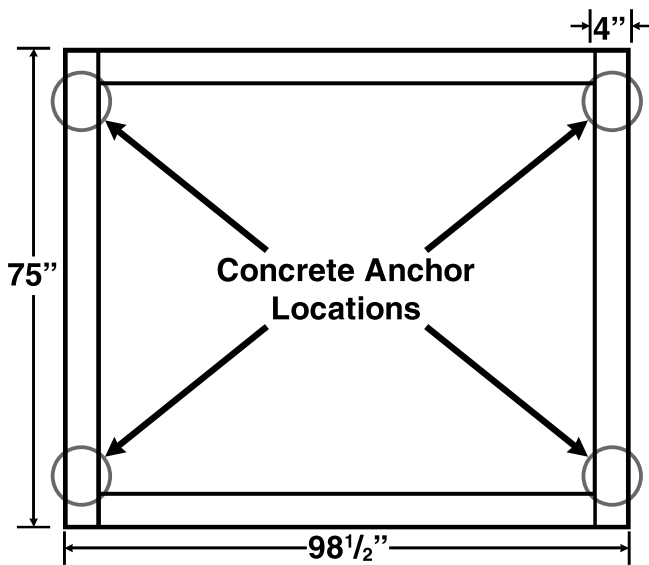


Figure A: Wood Frame Dimensions

4. Dig a hole for each of the concrete anchors in the positions shown. The hole should be slightly oversized and should be deep enough so that the frame will rest almost on the ground when installed.
5. Carefully place the anchors in the holes, and place the frame on the anchors. Use a level on the frame to make sure that the anchors are sunk to the proper depth. If any anchors need to be raised, partially fill the hole under the anchor with sand or gravel.
6. Once the frame is level, secure it to the anchors. Fill up the holes the rest of the way with the earth you removed previously.
7. Optional: For convenience you may fill the frame at this point with a proper fill material, such as gravel (not included).
8. There are **four** Floor Plates to position on the foundation; the Front Floor Plate (17), the Rear Floor Plate (16), and two Side Floor Plates (34). (See Figure G on page 8.)
9. Match the length of each of the four Floor Plates (16, 17, 34) with the appropriate length of each edge of the base. Place the Front Floor Plate (17) on the side that the door will face.

**NOTE:** Position the four Floor Plates (16, 17, 34) with their outer edges overhanging the outer edges of the frame, as shown below. **Do not secure the Floor Plates to the Frame at this time.**

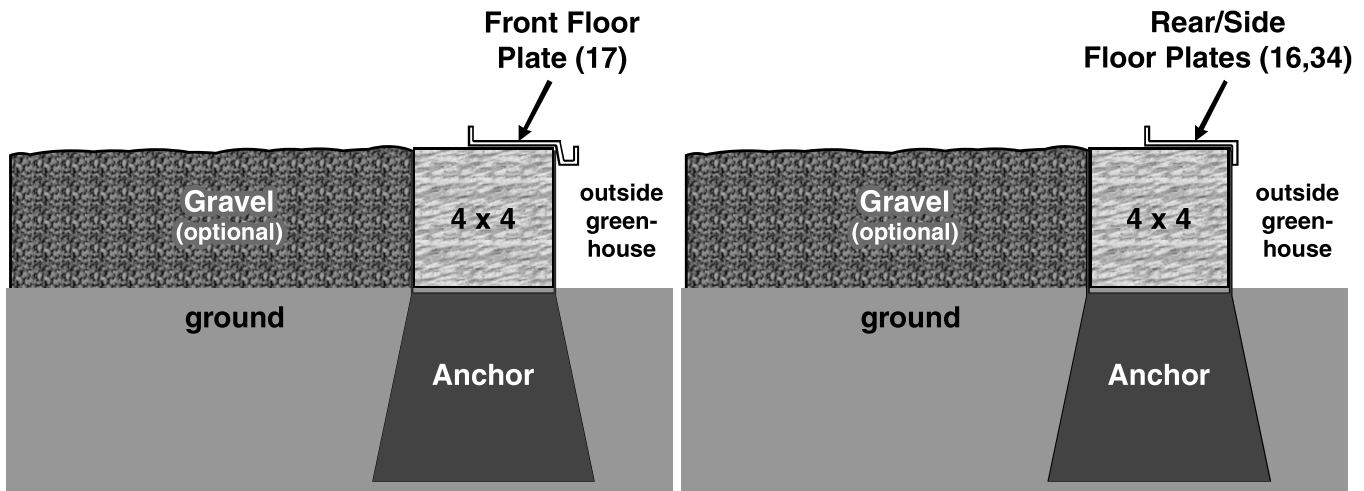


Figure B: Concrete Anchor Foundation - Cross Section

SAFETY

FOUNDATION

FRAME

MAINTENANCE

# Treated Wood Base Foundation

SAFETY

1. The wood base will be assembled out of 4 x 6 and 2 x 12 treated lumber, hardware (including galvanized lag bolts/deck screws), and fill material, such as gravel (none provided).
2. Assemble the 2 x 12 pieces in the dimensions shown in the diagram below. The wood will need to be trimmed to fit. Make certain that the assembly is square and level. The diagonal dimensions, from outside corner to outside corner, should be  $123\frac{3}{4}$ " each. Also use a level to ensure that the base is even. If needed, fill under sections of the base to make sure it is level.
3. Assemble the 4 x 6 pieces on top of the base you just assembled, as shown in the cross section below. Fill the base with the fill material up to the top of the 4 x 6's.
4. There are **four** Floor Plates to position on the foundation; the Front Floor Plate (17), the Rear Floor Plate (16), and two Side Floor Plates (34). **(See Figure G on page 8.)**
5. Match the length of each of the four Floor Plates (16, 17, 34) with the appropriate length of each edge of the base. Place the Front Floor Plate (17) on the side that the door will face.

FOUNDATION

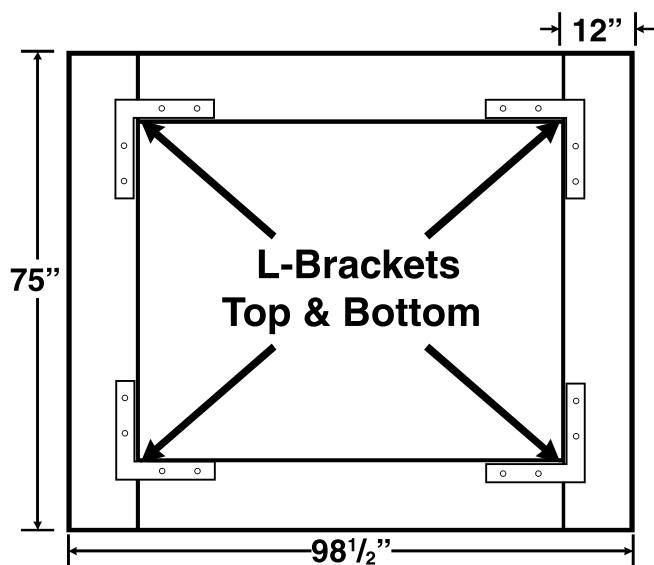


Figure C: Wood Base Dimensions

**NOTE:** Position the four Floor Plates (16, 17, 34) with their outer edges overhanging the outer edges of the base, as shown below. **Do not secure the Floor Plates to the Base at this time.**

FRAME

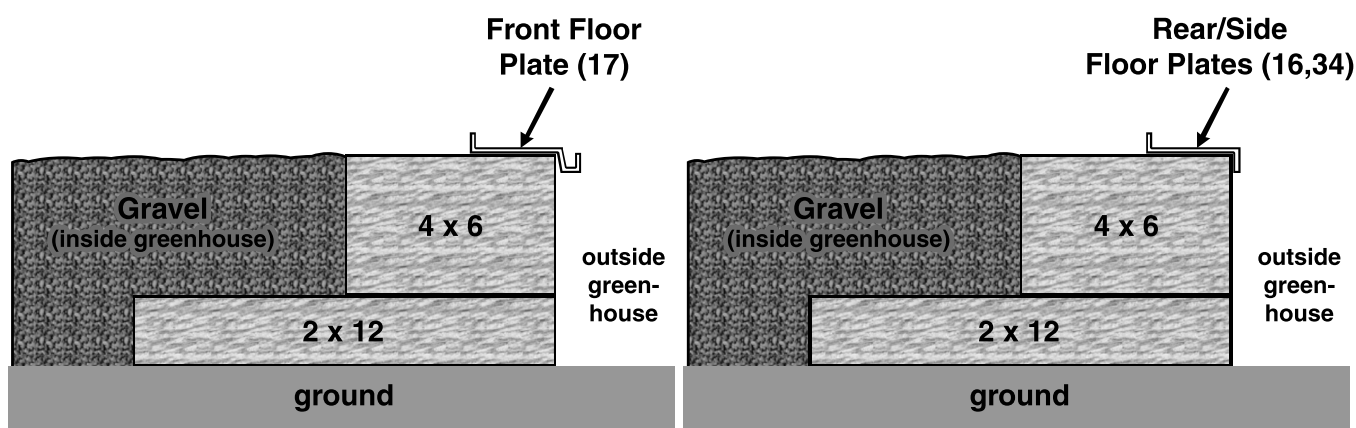


Figure D: Wood Base Cross Section

MAINTENANCE

# Concrete Slab Foundation

## Constructing a Wooden Sill

1. The greenhouse must be attached to a wood sill, and not directly to a concrete slab. Use **four 4" wide by 2" thick** wooden boards (not provided) to construct a sill.
2. Cut the four boards to the proper dimensions shown.
3. Place the four boards to form a rectangle on a level floor surface.
4. Exact dimensions may vary slightly. Lay the base components out together, square them, then take actual measurements. Both diagonal measurements, from outer corner to outer corner, should be  $123\frac{3}{4}$ " each.
5. Secure the boards together at the corners using wood screws (not provided).

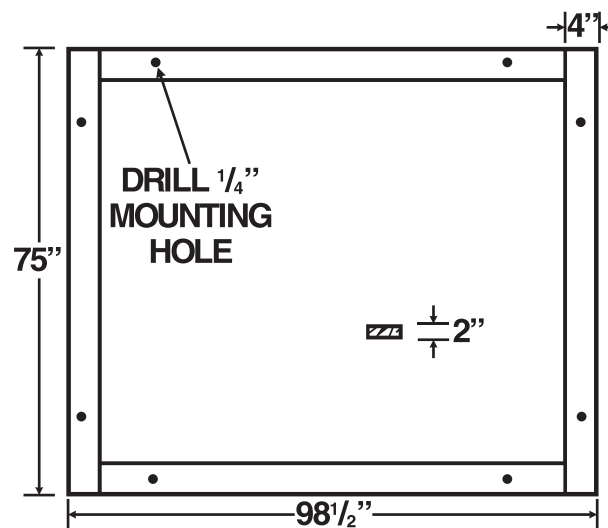


Figure E: Wood Sill Dimensions

## Attaching the Sill to the Concrete Slab

1. A concrete slab foundation upon which the Greenhouse will be positioned will help to ensure stability. The slab can be slightly oversize.
2. Drill two  $\frac{1}{4}$ " holes through each of the four boards.
3. Next, use the two predrilled holes in each board as a template to mark the points where eight anchor holes will be drilled in the concrete floor. Then, temporarily remove the sill.
4. Where previously marked on the concrete floor, drill all eight  $\frac{1}{4}$ " diameter, minimum 4" deep, anchor holes. Blow the concrete dust out from the drilled holes.
5. Move the four boards back to the concrete floor surface, and align all eight predrilled holes in the four boards with the eight previously drilled anchor holes. If necessary, level the boards by inserting stainless steel shims (sold separately) between the boards and the concrete floor. Do not exceed  $\frac{1}{2}$ " shim thickness.
6. Secure the four boards to the concrete floor, using eight  $\frac{1}{4}$ " diameter anchor bolts of appropriate length, eight washers, and eight nuts (not provided).

## Positioning the Floor Plates on the Sill

1. There are **four** Floor Plates to attach to the sill; the Front Floor Plate (17), the Rear Floor Plate (16), and two Side Floor Plates (34). (See Figure G on page 8.)
2. Match the length of each of the four Floor Plates (16, 17, 34) with the appropriate length of each of the four foundation boards. Place the Front Floor Plate (17) on the side that the door will face.

**NOTE:** Position the four Floor Plates (16, 17, 34) with their outer edges overhanging the outer edges of the sill, as shown below. **Do not secure the Floor Plates to the Sill at this time.**

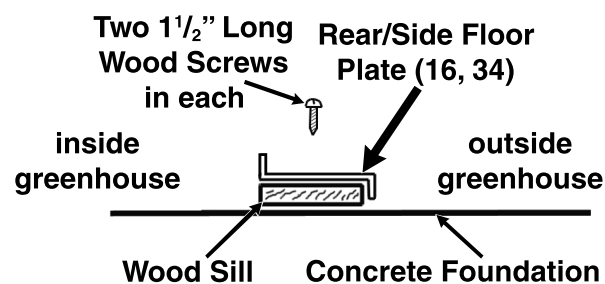
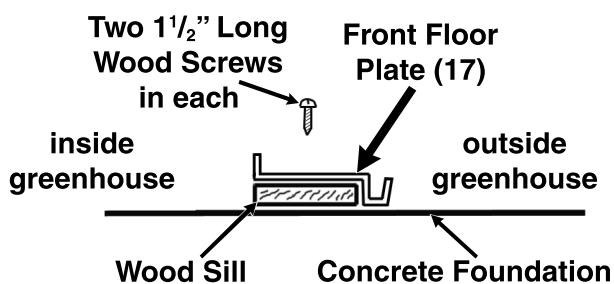


Figure F: Sill Cross Section

## Frame Assembly



Read the **ENTIRE IMPORTANT SAFETY INFORMATION** section at the beginning of this document including all text under subheadings therein before set up or use of this product.

- Unless noted otherwise, attach all frame parts using the Bolts (43) and Nuts (52) provided. Tighten nuts only about  $\frac{1}{4}$  turn past finger tight; be careful not to overtighten.
- Lay out all parts by number prior to assembly.
- Use an assistant or an appropriate support (not included) to keep the partially assembled parts upright during assembly. Use two assistants to assemble the Crown pieces to the rest of the frame.
- Assemble on a clear, calm day. Wind will damage the Greenhouse and make assembly difficult.

SAFETY

FOUNDATION

## Assembling the Frame Edges

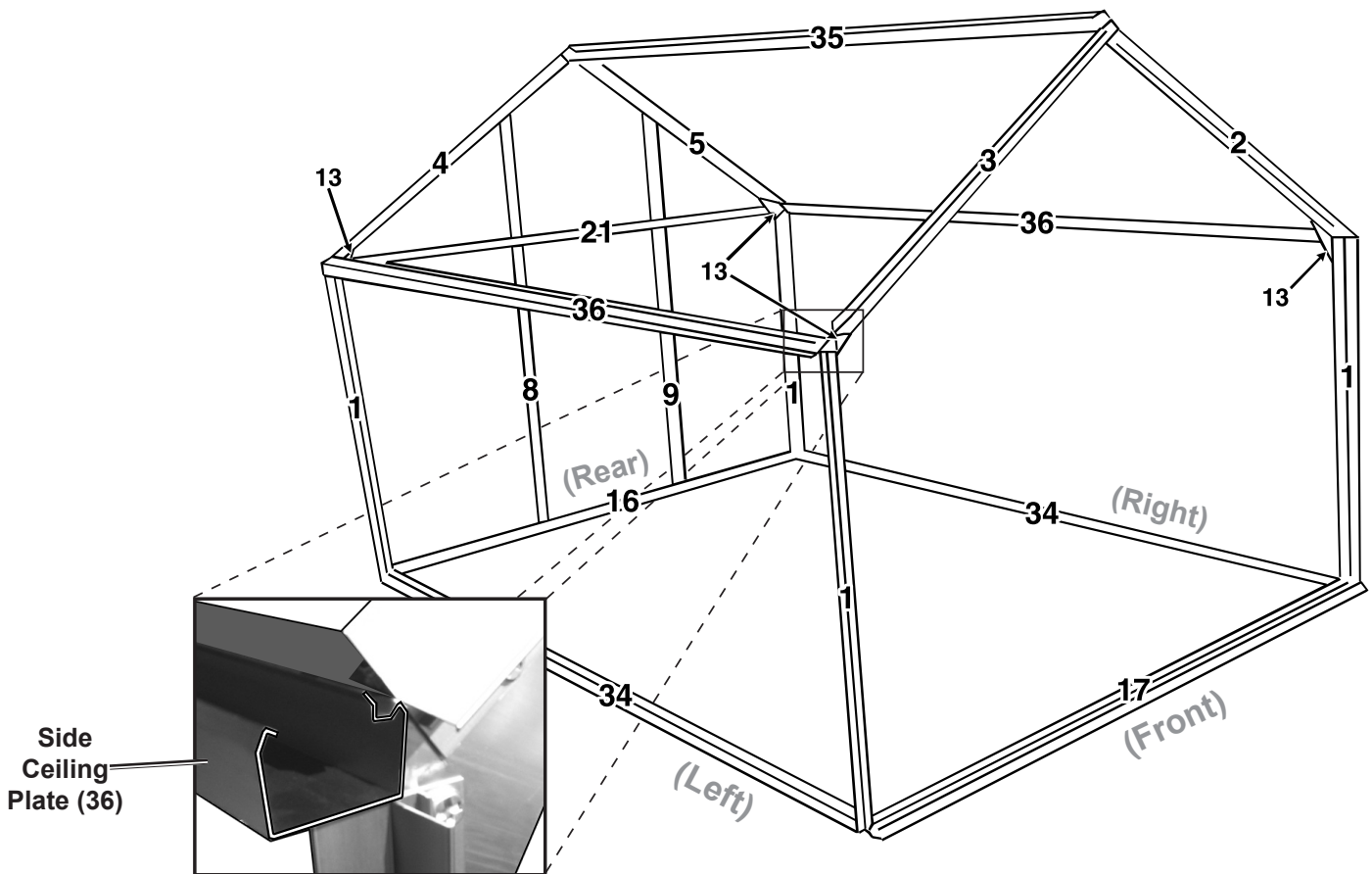


Figure G: Frame Edges

1. There are four Corner Studs (1) to be attached to the four Floor Plates (16, 17, 34). Attach one Corner Stud (1) on the outside of each corner. Attach an End Cap (47) to the top outer corner of each Corner Stud (1).
2. Once the four Corner Studs (1) are connected to the Floor Plates (16, 17, 34), drill three pilot holes  $1\frac{1}{2}$ " through each Floor Plate and into the underlying wood sill or base. Make sure not to drill into any of the hardware used earlier. Then, secure the Floor Plates to the foundation, using three  $1\frac{1}{2}$ " long wood screws (sold separately) for each Floor Plate.

FRAME

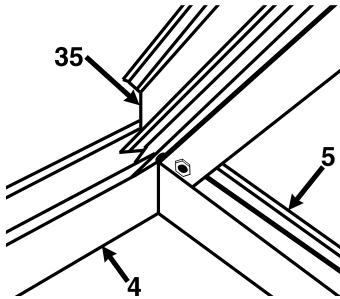
MAINTENANCE



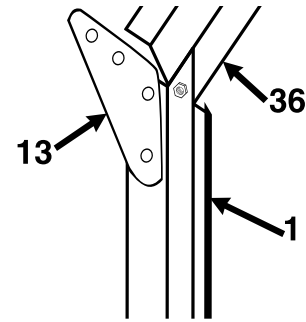
3. Attach a Side Ceiling Plate (36) flat against the inside of two Corner Studs (1). Make sure that the gutter on the Side Ceiling Plate is oriented correctly, see **Figure G inset**. At this point, the completed section of the frame will likely need support.
4. Attach the Rear Ceiling Plate (21) to the inside of the two Corner Studs (1) that are over the Rear Floor Plate (16). Point the Rear Ceiling Plate's flange inward. (See **Figure G**.)
5. Attach the Left and Right Rear Studs (8,9) to the outside of the Rear Floor Plate (16) and Rear Ceiling Plate (21). Orient them so that the ends slope upwards toward the middle of the greenhouse. (See **Figure G**.)

**Note:** The heads of the Bolts (43) fit into the slot on the back of the Stud, holding the Bolts in place during assembly.

6. Attach the remaining Side Ceiling Plate (36) along the other side, flat against the inside of the Corner Studs (1), with the gutter oriented properly.
7. At the side of the Greenhouse: Attach the Rear Right and Rear Left Crown Beams (4,5) to the outside of the Crown (35) with the angled edges towards the top. See diagram below, viewed from under the Crown, facing back.



8. Attach the Front Crown Beams (2,3) to the Crown (35) in the same fashion as the Rear Crown Beams.
9. Attach an End Cap (47) onto the outer end of each Crown Beam (2-5). Cover the gaps between the Crown Beams (between 2-3 & 4-5) with a Peak Cap (54) in each.
10. Attach a Corner Bracket (13) at the top of each Corner Stud (1) so that the bracket faces upwards, see diagram below. At the Studs that the Rear Ceiling Plate (21) is connected to, the Bolt (43) holding the Ceiling Plate on will need to be removed temporarily while the Bracket is installed between the Rear Ceiling Plate and the Corner Stud.



11. With two assistants, lift the Crown Assembly and place the Crown Beams (2-5) on top of the Corner Brackets (13).
12. Attach the remaining Side Ceiling Plate (36) flat against the inside of two Corner Studs (1). Once again, verify that the gutter on the Side Ceiling Plate is oriented correctly, see **Figure C inset**. At this point, the unit should be more stable.
13. Place the Gutter Caps (48) onto the ends of the Side Ceiling Plates (36) oriented with a gap in the bottom to allow water to drain out of the gutters.

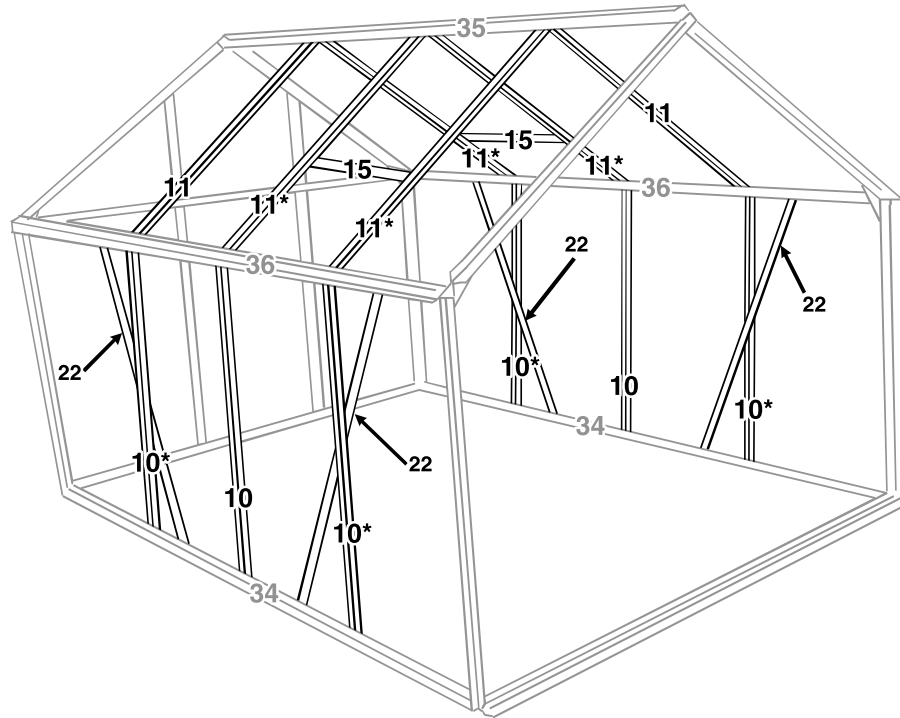
# Assembling the Side and Roof Frames

SAFETY

FOUNDATION

FRAME

MAINTENANCE



**IMPORTANT:** Assemble all parts marked with an asterisk (\*) above with an extra Bolt (43) in the slot.

**Figure H: Stud and Brace Locations**

1. Attach three Side Vertical Studs (10) to a Side Floor Plate (34) and a Side Ceiling Plate (36). Make sure that they are assembled vertically, there are extra holes for the diagonals. Also, include extra Bolts in the Studs noted above with asterisks. Repeat this Step for the remaining Side Floor Plate and Side Ceiling Plate. **(See Figure H.)**
2. Attach two Side Diagonal Braces (22) to a Side Floor Plate (34) and a Side Ceiling Plate (36) with the flange facing inward. Use the extra Bolt (43), noted in the caption above, to secure the center portion of each Diagonal Brace (22). Repeat this Step for the remaining Side Floor Plate and Side Ceiling Plate. **(See Figure H.)**
3. Attach the six Roof Studs (11) between the Crown (35) and the two Side Ceiling Plates (36). Include extra Bolts in the four Studs noted with an asterisk above. **(See Figure H.)**
4. Slide the Window Support Beams (15) onto the four Roof Studs (11) that you included extra bolts in, with the predrilled holes on the underside and the flat side facing the Crown (35). Use the extra Bolts (43), to secure the Beam loosely in place. It will need adjustment when installing the window.
5. Using two Window Screws (45), attach each Window Stop (18) to the Window Support Beam (15) with its tab pointing towards the Crown (35). Both should be on the underside of their Window Support Beam, inside the greenhouse.

# Assembling the Front Frame

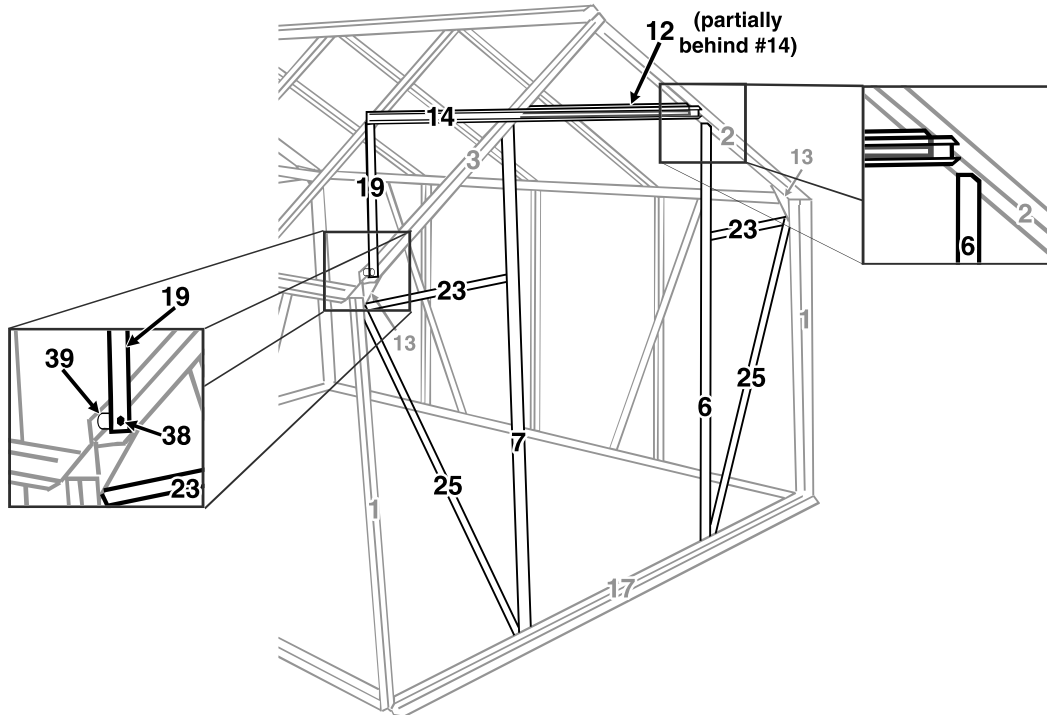


Figure I: Front Frame

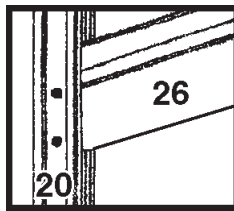
1. Attach the Right and Left Doorway Studs (6,7) to the Front Right and Left Crown Beams (2,3) and the Front Floor Plate (17) as shown above. The cutoff corners on the Studs should be at the top and should face away from the center of the greenhouse. (See Figure I and right inset.)
2. Attach the Front Diagonal Stud (25) to the lower Bolt on the Corner Bracket (13) and bottom of the Front Floor Plate (17). The flange should face inside. (See Figure I.)
3. Attach the other Front Diagonal Stud (25) in the same way on the opposite side.
4. Attach a Front Ceiling Plate (23) to the Bolt (43) on the Corner Bracket (13) that is right above the Diagonal-Bracket connection. Connect the other end to the Left Doorway Stud (7). Attach the remaining Front Ceiling Plate (23) between the Corner Bracket (13) and Right Doorway Stud (6). (See Figure I.)
5. Attach the Top Doorway Beam (12) between the Front Right and Left Crown Beams (2,3). Turn it so that the nicked corners are facing up and the two remaining holes are facing the outside to allow the Door Rail (14) to be attached.
6. Attach the Vertical Extender (19) to the Front Left Crown Beam (3) using the Long Door Support Bolt (38) and Nut (52), with the Door Support Spacer (39) between the Extender and the Stud. (See Figure I, left inset.)
7. Place three Bolts (43) in the Slot at the back of the Door Rail (14). Attach the Rail to the Top Doorway Beam (12) and the free end of the Vertical Extender (19), with the rounded side up. (See Figure I.)

## Assembling/Installing the Door

The door is assembled using the Door Screws (44).

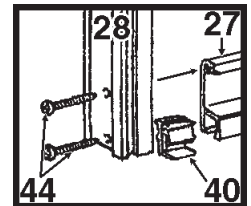
The Screws thread directly into the rounded portions of the parts in the center of the door.

- Place the Left Door Frame (20) with the Rubber Seal (42) side down. Attach the Center Door Frames (26) to the Left Door Frame (20). Assemble them with the rounded portion facing the front, as shown to the right. These parts are also marked with an arrow that needs to point towards the top of the door.



Front view

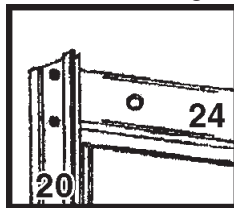
- Insert a Door Bottom Slider (40) into each end of the Bottom Door Frame (27). Install the Sliders correctly, with the gap facing the back of the door, see diagram to the right. Attach the Bottom Door Frame (27) to the Left and Right Door Frames (20,28) using two Screws (44) on each side – the top one into the Bottom Door Frame (27) and the bottom one into the Door Bottom Slider (40).



View from behind

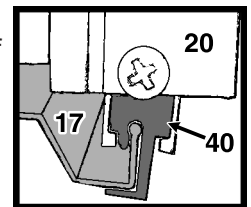
- Attach the Right Door Frame (28) to the Center Door Frames (26) in the same way.

- Attach the Door Top Frame (24) to the Left and Right Door Frames (20 and 28). Turn them so that the rounded portion faces the front and that the flange where the pane will sit faces the center of the door, see the diagram to the right.



Front view

- Raise the assembled Door up and insert the first roller of its Door Slider (31) onto the Door Rail (14). Carefully align the first Bottom Door Slider (40) over the edge of the Front Floor Plate (17), see illustration to the right. Carefully slide the door over and align the other top Roller and bottom Slider as was done earlier.



Side view

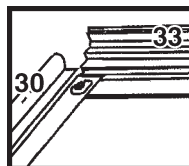
- Using two Bolts (43) and two Nuts (52), attach the Door Slider (31) to the Door Top Frame (24) with the rollers on the top of the door.

- Once the door is installed, install a Bolt (43) and Nut (52) into the hole on each side of the Door Rail (14) to prevent the door from sliding off its rail. Attach the Right and Left Rail End Caps (49,50) onto the ends of the Door Rail.

## Assembling/Installing the Windows

Follow the steps below for each of the two windows.

- Attach the Side Window Frames (30) to the Top Window Frame (33), as shown to the right.



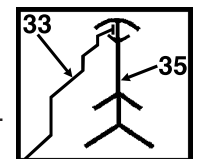
- Insert Bolts (43) into the holes at the bottom of the Side Window Frames (30), so that the threads stick out the bottom of the window.

- Remove the protective film from both sides of the Window Pane (5A). Slide the Window Pane (5A) into the three sided frame.

- Slide the Bottom Window Frame (32) onto the two Bolts (43) and the Window Pane (5A). Secure it in place with Nuts (52). If needed, apply some pressure to the heads of the Bolts through the Window Pane to allow the Nuts to thread on properly.

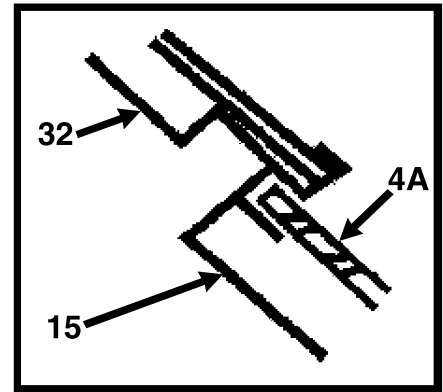
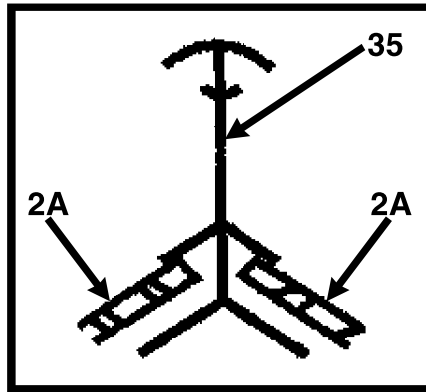
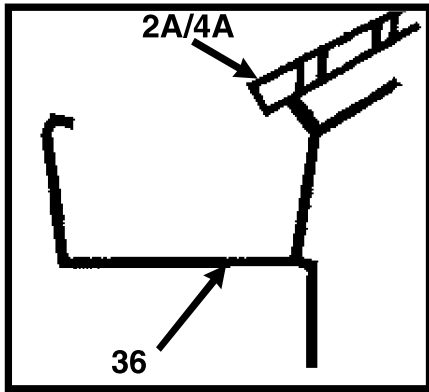
- Attach the Window Brace (51) to the Bottom Window Frame (32) using two Window Screws (45). The holes on the Window Brace (51) should face away from the window.

- Slide the top edge of the Top Window Frame (33) into the slot at the top of the Crown (35), see illustration to the right. The window should be aligned with the Window Brace (51) on the bottom. Slide the window into place over one Window Support Beam (15). Gradually lower it into place.



- Loosen the Nuts (52) holding the Window Support Beam (15) in place and slide the Window Support Beam (15) up to touch the window. Secure it into place.

# Transparent Panel Installation

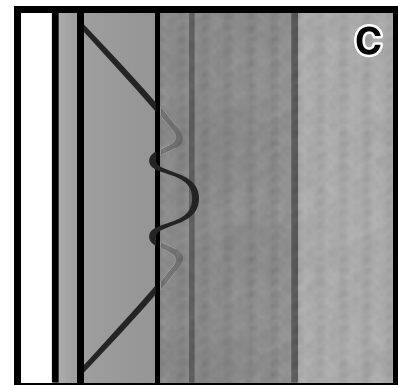
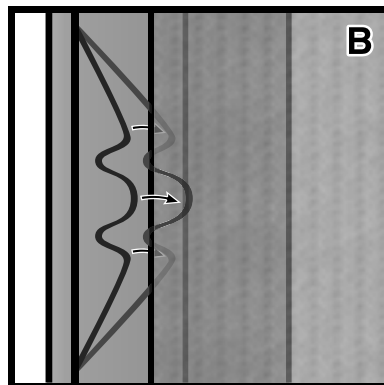
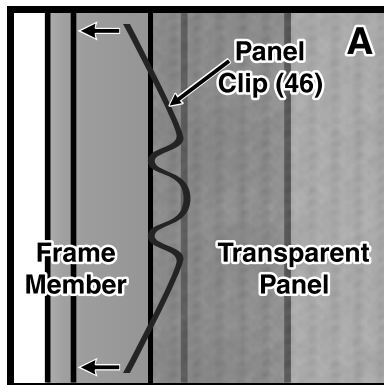


1. Panel Clips (46) are used to secure the Transparent Panels in place on the Greenhouse. (See Parts List A.)

**Note:** Remove the protective film from both sides of all panels as they are installed. After removing the protective film from the Door Center Panel (7A), stick the warning label to it. Install the Door Center Panel so that the warning label is easily readable from outside the greenhouse.

2. The Roof Panels (2A) and the Roof Window Panel (4A) will need to be placed as shown in the illustrations below. The bottom edges of these panels need to align above the gutter to direct rain off the greenhouse. The top edges of these panels need to be placed up under the edge of the Crown (35) or the Window Support Beam (15).

3. One at a time, place each Transparent Panel (1A through 9A) in its proper location on the Ceiling and Frame of the Greenhouse. Then, use Panel Clips (46) in the quantity and location of shown in Parts List A to secure the Transparent Panel in place.
4. To attach Panel Clips, see illustration and instructions below:
  - A) Place the two loose ends of the Clip into the groove in the frame
  - B) Swing the center portion of the Clip up against the Panel
  - C) Two edges of the Clip swing under the edge of the panel and the center edge holds the panel in place.



Be careful, Panel Clip (46) ends may be sharp and may spring back!

## Use and Maintenance

1. **BEFORE EACH USE**, inspect the general condition of the Greenhouse. Check for loose screws, misalignment or binding of moving parts, cracked or broken parts, and any other condition that may affect the safe operation of the Greenhouse. If a problem occurs with the Greenhouse, have it corrected before further use. **Do not use damaged equipment.**
2. **TO CLEAN:** Wipe with a damp cloth, using a mild detergent. **Do not use cleaners that are combustible, corrosive, or not compatible with aluminum.**
3. **WHEN STORING:** Keep the Greenhouse in a box and in a clean, dry location.

## Limited 90 Day Warranty

Harbor Freight Tools Co. makes every effort to assure that its products meet high quality and durability standards, and warrants to the original purchaser that this product is free from defects in materials and workmanship for the period of 90 days from the date of purchase. This warranty does not apply to damage due directly or indirectly, to misuse, abuse, negligence or accidents, repairs or alterations outside our facilities, criminal activity, improper installation, normal wear and tear, or to lack of maintenance. We shall in no event be liable for death, injuries to persons or property, or for incidental, contingent, special or consequential damages arising from the use of our product. Some states do not allow the exclusion or limitation of incidental or consequential damages, so the above limitation of exclusion may not apply to you. THIS WARRANTY IS EXPRESSLY IN LIEU OF ALL OTHER WARRANTIES, EXPRESS OR IMPLIED, INCLUDING THE WARRANTIES OF MERCHANTABILITY AND FITNESS.

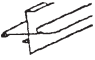



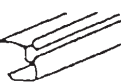








To take advantage of this warranty, the product or part must be returned to us with transportation charges prepaid. Proof of purchase date and an explanation of the complaint must accompany the merchandise. If our inspection verifies the defect, we will either repair or replace the product at our election or we may elect to refund the purchase price if we cannot readily and quickly provide you with a replacement. We will return repaired products at our expense, but if we determine there is no defect, or that the defect resulted from causes not within the scope of our warranty, then you must bear the cost of returning the product.



















This warranty gives you specific legal rights and you may also have other rights which vary from state to state.


















## PLEASE READ THE FOLLOWING CAREFULLY

THE MANUFACTURER AND/OR DISTRIBUTOR HAS PROVIDED THE PARTS LISTS IN THIS DOCUMENT AS A REFERENCE TOOL ONLY. NEITHER THE MANUFACTURER OR DISTRIBUTOR MAKES ANY REPRESENTATION OR WARRANTY OF ANY KIND TO THE BUYER THAT HE OR SHE IS QUALIFIED TO MAKE ANY REPAIRS TO THE PRODUCT, OR THAT HE OR SHE IS QUALIFIED TO REPLACE ANY PARTS OF THE PRODUCT. IN FACT, THE MANUFACTURER AND/OR DISTRIBUTOR EXPRESSLY STATES THAT ALL REPAIRS AND PARTS REPLACEMENTS SHOULD BE UNDERTAKEN BY CERTIFIED AND LICENSED TECHNICIANS, AND NOT BY THE BUYER. THE BUYER ASSUMES ALL RISK AND LIABILITY ARISING OUT OF HIS OR HER REPAIRS TO THE ORIGINAL PRODUCT OR REPLACEMENT PARTS THERETO, OR ARISING OUT OF HIS OR HER INSTALLATION OF REPLACEMENT PARTS THERETO.

## Parts Lists

Part	Description		Qty	Part	Description		Qty
1	Corner Stud		4	12	Top Doorway Beam		1
2	Front Rt. Crown Beam		1	13	Corner Bracket		4
3	Front Lt. Crown Beam		1	14	Door Rail		1
4	Rear Rt. Crown Beam		1	15	Window Support Beam		2
5	Rear Lt. Crown Beam		1	16	Rear Floor Plate		1
6	Right Doorway Stud			1	17	Front Floor Plate	
7	Left Doorway Stud	1		18	Window Stop		2
8	Left Rear Stud		1				
9	Right Rear Stud		1				
10	Side Stud		6				
11	Roof Stud		6				

Part	Description		Qty
19	Door Slide Support		1
20	Left Door Frame		1
28	Right Door Frame		1
21	Rear Ceiling Plate		1
22	Side Diagonal Brace		4
23	Front Ceiling Plate		2
24	Top Door Frame		1
25	Front Diagonal Brace		2
26	Center Door Frame		2
27	Bottom Door Frame		1
30	Side Window Frame		4
31	Door Slider		1
32	Bottom Window Frame		2
33	Top Window Frame		2
34	Side Floor Plate		2
35	Crown		1
36	Side Ceiling Plate		2
37	Top Roller Screw		2

Part	Description		Qty
38	Long Door Support Bolt		1
39	Door Support Spacer		1
40	Door Bottom Slider		2
41	Spanner Wrench		2
42	Rubber Seal		2
43	Bolt		105
44	Door Screw		16
45	Window Screw		8
46	Panel Clip		144
47	End Cap		8
48	Gutter End Cap		4
49	Right Rail End Cap		1
50	Left Rail End Cap		1
51	Window Brace		2
52	Nut		106
53	Roller		4
54	Peak Cap		2

SAFETY

FOUNDATION

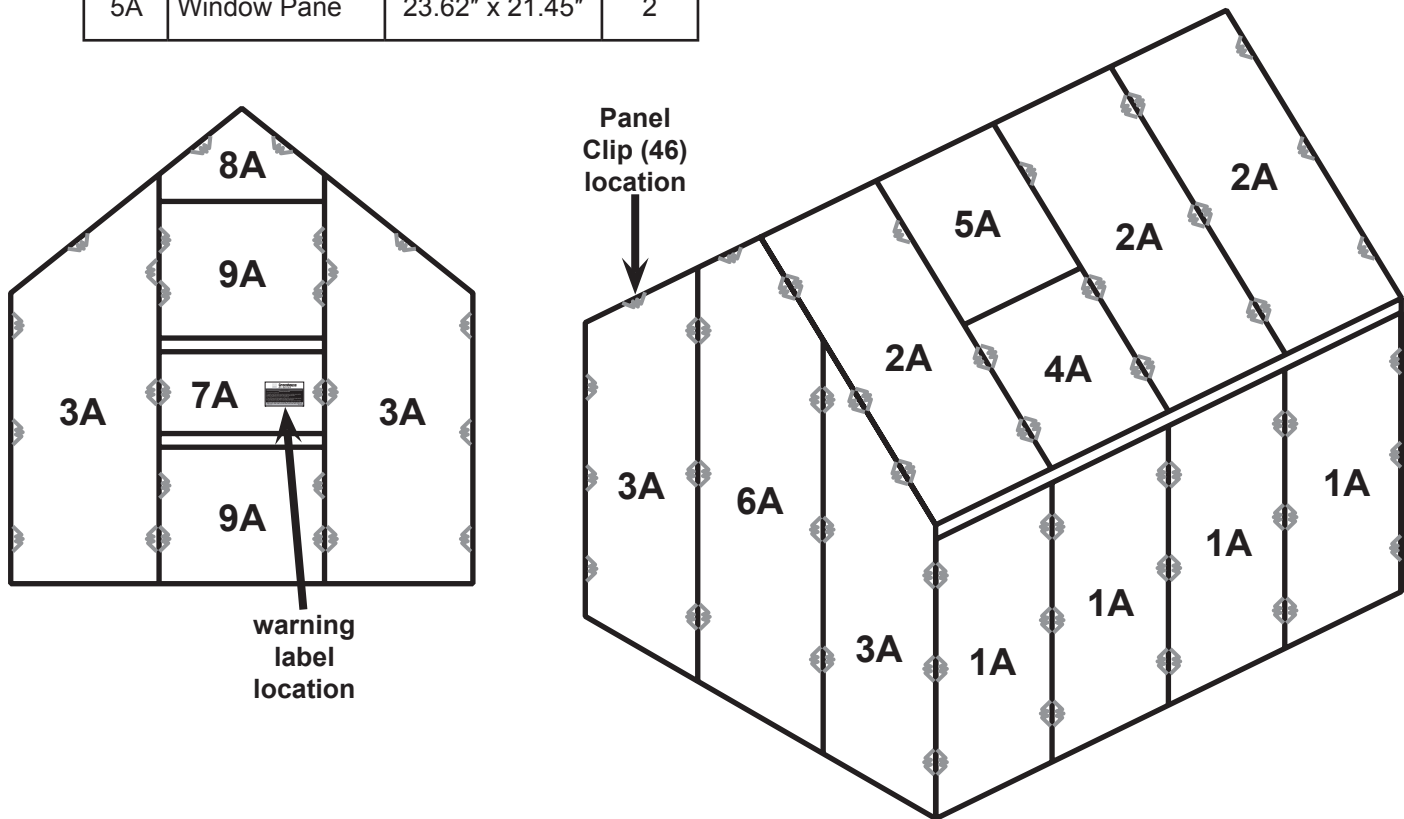
FRAME

MAINTENANCE

## Parts List A- Panels

Part	Description	Size	Qty
1A	Side Panel	23.81" x 47.63"	8
2A	Roof Panel	23.81" x 44.48"	6
3A	Front/Rear Panel	23.81" x 65.35"	4
4A	Roof Window Panel	23.81" x 23.22"	2
5A	Window Pane	23.62" x 21.45"	2

Part	Description	Size	Qty
6A	Rear Center Panel	23.81" x 73.70"	1
7A	Door Center Panel	23.81" x 9.44"	1
8A	Top Center Panel	24.21" x 9.13"	1
9A	Door Panel	23.81" x 23.70"	2



Record Serial Number Here: \_\_\_\_\_

**Note:** If product has no serial number, record month and year of purchase instead.

**Note:** Some parts are listed and shown for illustration purposes only, and are not available individually as replacement parts.



3491 Mission Oaks Blvd. • PO Box 6009 • Camarillo, CA 93011 • (800) 444-3353